

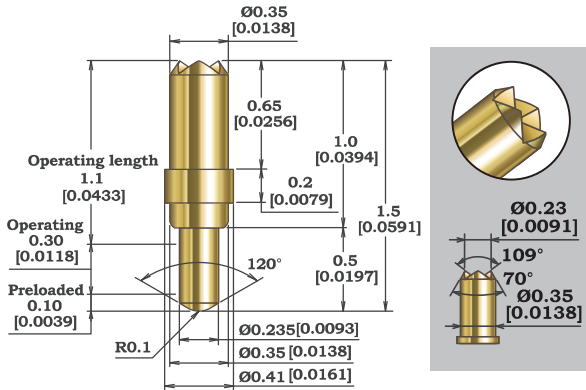
High Frequency 高周波 Test Height 1.1mm

■ KLS050-001CA

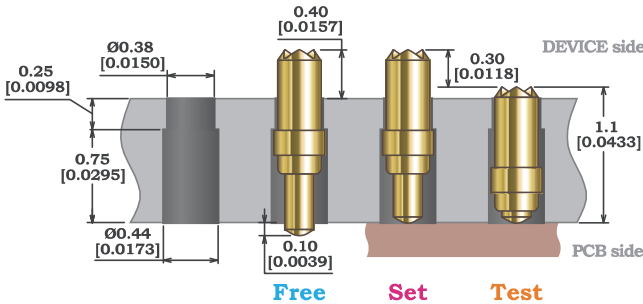
Pitch **0.50mm**

■ Probe Outline

Unit: mm [inch]



■ Socket Outline

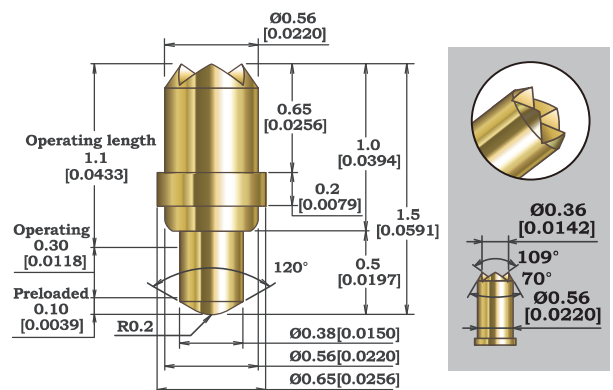


■ KLS080-001CA

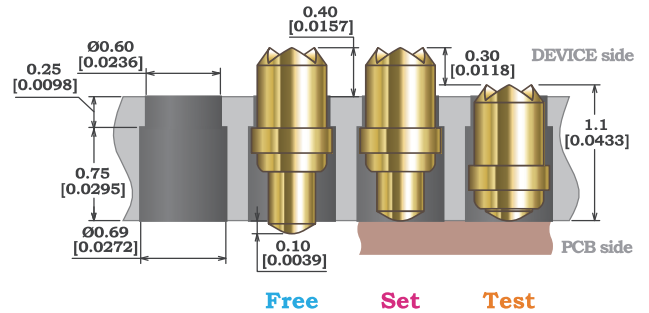
Pitch **0.80mm**

■ Probe Outline

Unit: mm [inch]



■ Socket Outline



■ Specifications (Approximate Average Values)

Mechanical Specifications

Spring Force at Operating Travel	10gf (0.35oz.)
Operating Travel	0.4mm (0.0157inch)
Operating Temperature	-45 to 125°C
Life Span at Operating Travel	200K Cycles

Electrical Specifications

Current Rating (Continuous)	1.3A
Self Inductance	0.26nH
Bandwidth @ -1dB	48.2GHz
DC Resistance	≤0.05Ω

Material and Finishes

Bottom Plunger	BeCu / Au Plated
Barrel	BeCu / Au Alloy Plated
Spring	Music Wire / Au Plated

■ Specifications (Approximate Average Values)

Mechanical Specifications

Spring Force at Operating Travel	20gf (0.71oz.)
Operating Travel	0.4mm (0.0157inch)
Operating Temperature	-45 to 125°C
Life Span at Operating Travel	1000K Cycles

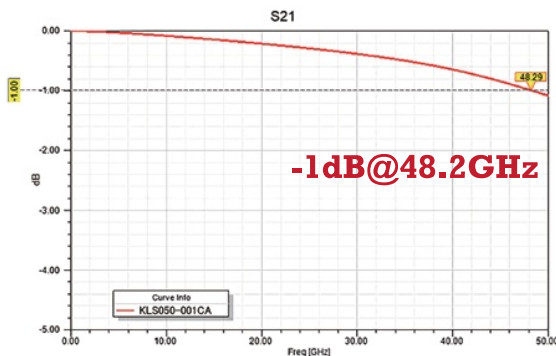
Electrical Specifications

Current Rating (Continuous)	2.4A
Self Inductance	0.26nH
Bandwidth @ -1dB	32.2GHz
DC Resistance	≤0.05Ω

Material and Finishes

Bottom Plunger	BeCu / Au Plated
Barrel	BeCu / Au Alloy Plated
Spring	Music Wire / Au Plated

■ Insertion Loss Data



■ Insertion Loss Data

