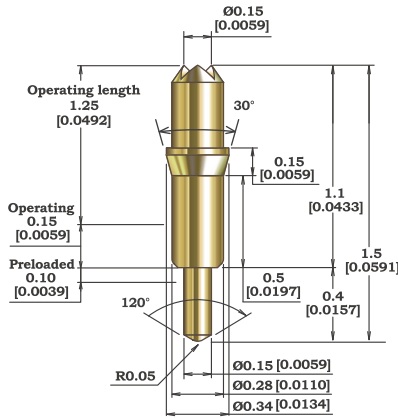


High Frequency 高周波 Pitch 0.4mm

Probe Outline

Unit: mm [inch]



Specifications

(Approximate Average Values)

Mechanical Specifications

Spring Force at Operating Travel	8.5gf (0.30oz.)
Operating Travel	0.25mm (0.010inch)
Operating Temperature	-45 to 120°C
Life Span at Operating Travel	1,000K Cycles

Electrical Specifications

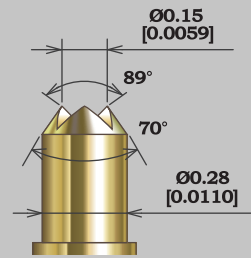
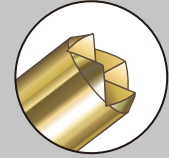
Current Rating (Continuous)	0.9A*
Self Inductance	0.29nH
Bandwidth @ -1dB	58.3GHz
DC Resistance	$\leq 0.2\Omega$ *

Material and Finishes

Bottom Plunger	BeCu / Au Plated
Barrel	BeCu / Au Alloy Plated
Spring	Music Wire / Au Plated

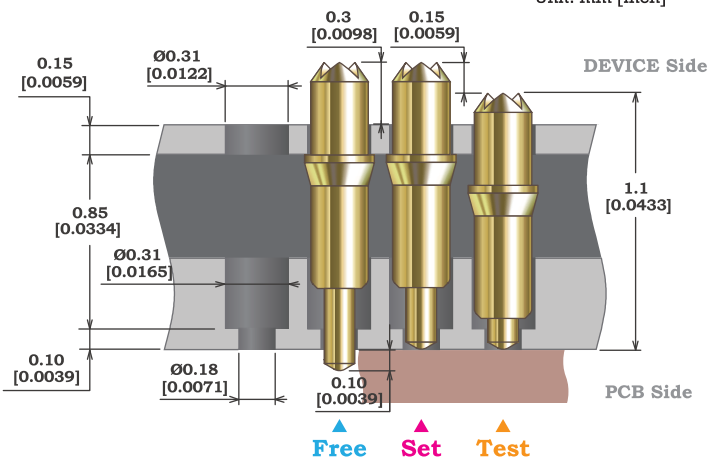
*Referencial Value 参考値

KPS040-004CA

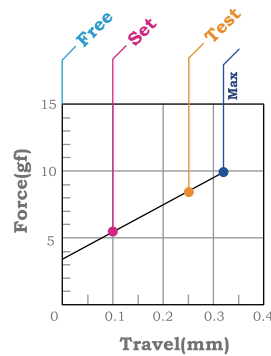


Socket Outline

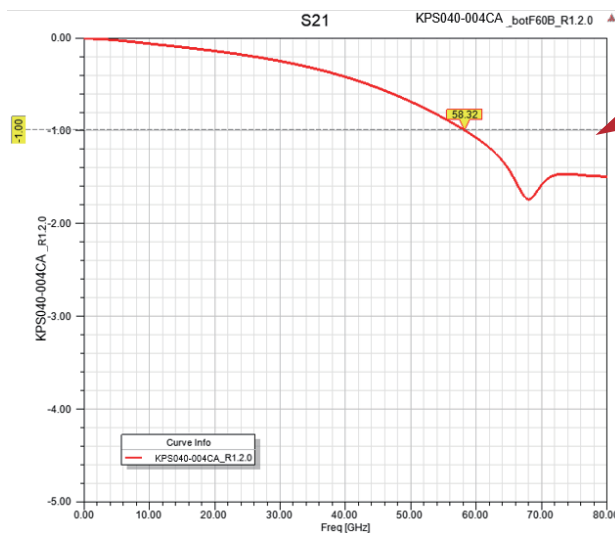
Unit: mm [inch]



Force Chart



Insertion Loss Data



-1dB@58.3GHz